



# ORIGINAL INSTRUCTIONS

Version 012020

# TABLE OF CONTENTS

## Welcome to Lumberjack!

Dear Customer, Congratulations on your purchase. Before using the product for the first time please be sure to read these instructions for use.

They provide you with all information necessary for using the product safely and to ensure its long service life.

Closely observe all safety information in these instructions!

<b>General Power Tool Safety Warnings.....</b>	<b>01</b>
<b>Symbols &amp; Cable Rating Chart .....</b>	<b>05</b>
<b>Machine Details and Product Features.....</b>	<b>06</b>
<b>Assembly.....</b>	<b>07</b>
<b>Operation.....</b>	<b>08</b>
<b>Maintenance and Service.....</b>	<b>10</b>
<b>Lumberjack Guarantee.....</b>	<b>11</b>
<b>Declaration of Conformity.....</b>	<b>12</b>
<b>Parts List.....</b>	<b>13</b>
<b>Parts Diagram.....</b>	<b>14</b>

# GENERAL POWER TOOL SAFETY WARNINGS

**WARNING Read all safety warnings and all instructions.** Failure to follow the warnings and instructions may result in electric shock, fire and/or serious injury.

**Save all warnings and instructions for future reference.** The term "power tool" in the warnings refers to your electric (corded) power tool or battery-operated (cordless) power tool.

## 1. Work area safety

**a) Keep work area clean and well lit.** Cluttered or dark areas invite accidents.

**b) Do not operate power tools in explosive atmospheres, such as in the presence of flammable liquids, gases or dust.** Power tools create sparks which may ignite the dust or fumes.

**c) Keep children and bystanders away while operating a power tool.** Distractions can cause you to lose control.

## 2. Electrical safety

**a) Power tool plugs must match the outlet. Never modify the plug in any way. Do not use any adapter plugs with grounded power tools.** Unmodified plugs and matching outlets will reduce risk of electric shock.

**b) Avoid body contact with grounded surfaces, such as pipes, radiators, ranges and refrigerators.** There is an increased risk of electric shock if your body is grounded.

**c) Do not expose power tools to rain or wet conditions.** Water entering a power tool will increase the risk of electric shock.

**d) Do not abuse the cord. Never use the cord for carrying, pulling or unplugging the power tool. Keep cord away from heat, oil, sharp edges or moving parts.** Damaged or entangled cords increase the risk of electric shock.

**e) When operating a power tool outdoors, use an extension cord suitable for outdoor use.** Use of a cord suitable for outdoor use reduces the risk of electric shock.

**f) If operating a power tool in a damp location is unavoidable, use a residual current device (RCD) protected supply.** Use of an RCD reduces the risk of electric shock.

## 3. Personal safety

**a) Stay alert, watch what you are doing and use common sense when operating a power tool. Do not use a power tool while you are tired or under the influence of drugs, alcohol or medication.** A moment of inattention while operating power tools may result in serious personal injury.

**b) Use personal protective equipment. Always wear eye protection.** Protective equipment such as dust mask, non-skid safety shoes, hard hat, or hearing protection used for appropriate conditions will reduce personal injuries.

**c) Prevent unintentional starting. Ensure the switch is in the off position before connecting to power source and/or battery pack, picking up or carrying the tool.** Carrying power tools with your finger on the switch or energising power tools that have the switch on invites accidents.

**d) Remove any adjusting key or wrench before turning the power tool on.** A wrench or a key left attached to a rotating part of the power tool may result in personal injury.

# GENERAL POWER TOOL SAFETY WARNINGS

**e) Do not overreach. Keep proper footing and balance at all times.** This enables better control of the power tool in unexpected situations.

**f) Dress properly. Do not wear loose clothing or jewellery. Keep your hair, clothing and gloves away from moving parts.** Loose clothes, jewellery or long hair can be caught in moving parts.

**g) If devices are provided for the connection of dust extraction and collection facilities, ensure these are connected and properly used.** Use of dust collection can reduce dust-related hazards.

## 4. Power tool use and care

**a) Do not force the power tool. Use the correct power tool for your application.** The correct power tool will do the job better and safer at the rate for which it was designed.

**b) Do not use the power tool if the switch does not turn it on and off.** Any power tool that cannot be controlled with the switch is dangerous and must be repaired.

**c) Disconnect the plug from the power source and/or the battery pack from the power tool before making any adjustments, changing accessories, or storing power tools.** Such preventive safety measures reduce the risk of starting the power tool accidentally.

**d) Store idle power tools out of the reach of children and do not allow persons unfamiliar with the power tool or these instructions to operate the power tool.** Power tools are dangerous in the hands of untrained users.

**e) Maintain power tools. Check for misalignment or binding of moving parts, breakage of parts and any other condition that may affect the power tool's operation. If damaged, have the power tool repaired before use.** Many accidents are caused by poorly maintained power tools.

**f) Keep cutting tools sharp and clean.** Properly maintained cutting tools with sharp cutting edges are less likely to bind and are easier to control.

**g) Use the power tool, accessories and tool bits etc. in accordance with these instructions, taking into account the working conditions and the work to be performed.** Use of the power tool for operations different from those intended could result in a hazardous situation.

## 5. Service

**a) Have your power tool serviced by a qualified repair person using only identical replacement parts.** This will ensure that the safety of the power tool is maintained.

**b) If the replacement of the supply cord is necessary, this has to be done by the manufacturer or its agent in order to avoid a safety hazard.**

# GENERAL POWER TOOL SAFETY WARNINGS

## 6. Additional Safety and working Instructions

a) **Dust from materials such as lead-containing coatings, some wood types, minerals and metals can be harmful to one's health and cause allergic reactions, leading to respiratory infections and/or cancer.** Materials containing asbestos may only be worked by specialists. Observe the relevant regulations in your country for the materials to be worked.

b) **Prevent dust accumulation at the workplace.** Dust can easily ignite.

## 7. SAFETY WARNINGS for Grinding Operating

a) Use only wheel types that are recommended for your power tool and the specific guard designed for the selected wheel. Wheels for which the power tool was not designed cannot be adequately guarded and are unsafe.

b) The grinding surface of centre depressed wheels must be mounted below the plane of the guard lip. An improperly mounted wheel that projects through the plane of the guard lip cannot be adequately protected.

c) The guard must be securely attached to the power tool and positioned for maximum safety, so the least amount of wheel is exposed towards the operator. The guard helps to protect the operator from broken wheel fragments and accidental contact with the wheel and sparks that could ignite clothing.

d) Wheels must be used only for recommended applications. For example: do not grind with the side of the wheel. Abrasive cut-off wheels are intended for peripheral grinding, side forces

applied to these wheels may cause them to shatter .

e) Always use undamaged wheel flanges that are of correct size and shape for your selected wheel. Proper wheel flanges support the wheel thus reducing the possibility of wheel breakage. Flanges for cut-off wheels may be different from grinding wheel flanges.

f) Do not use worn down wheels from larger power tools. Wheels intended for larger power tools are not suitable for the higher speed of a smaller tool and may burst.

## 8. Additional safety instructions

**WARNING! The mains switch shall automatically switch off the motor as soon as the actuating member of the switch is released and shall have no locking arrangement in the "on" position. The tool will not restart after an interruption of the mains supply without releasing and reactivating the switch.**

a) Caution- Read the operating instructions to reduce the risk of injury

b) The impact of noise can cause damage to hearing.

c) Dust which is injurious to health can be generated when working on wood and other materials. Never use the device to work on any materials containing asbestos!

d) Sparks generated during working or splinters, chips and dust emitted by the device can cause loss of sight.

e) This safety guard is designed for sanding/grinding.

# GENERAL POWER TOOL SAFETY WARNINGS

f) This safety guard is designed for cutting and grinding/sanding.

g) Never use a grinding or cutting wheel bigger than the specified diameter.

h) Before using a grinding or cutting wheel, check its rated speed.

i) The maximum speed of the grinding or cutting wheel used must be higher than the idle speed of the angle grinder.

j) Use only grinding and cutting wheels that are approved for a minimum speed of 11,000 rpm and a peripheral speed of 80 m/sec.

k) Check the direction of rotation when you use diamond cutting wheels. The directional arrow on the diamond cutting wheel must point in the direction in which the tool rotates.

# SYMBOLS AND POWER RATING CHART



**Danger! – Read the operating instructions to reduce the risk of injury.**



**Caution! Wear safety goggles.**



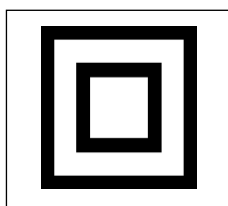
**Caution! Wear ear defenders. The impact of noise can cause damage to hearing.**



**Caution! Risk of Injury! Do not reach into the running saw blade.**



**Caution! Wear a dust mask.**



**Class II Double Insulated**

# Machine Details and Product Features

## Machine Details

### Specifications:

Voltage – 220-240V (50Hz)

Power – 820W

No-load Speed – 11000rpm

Grinding Wheel Size – Ø115mm

Spindle Thread – M14

### Package Contents:

Angle grinder

Side handle

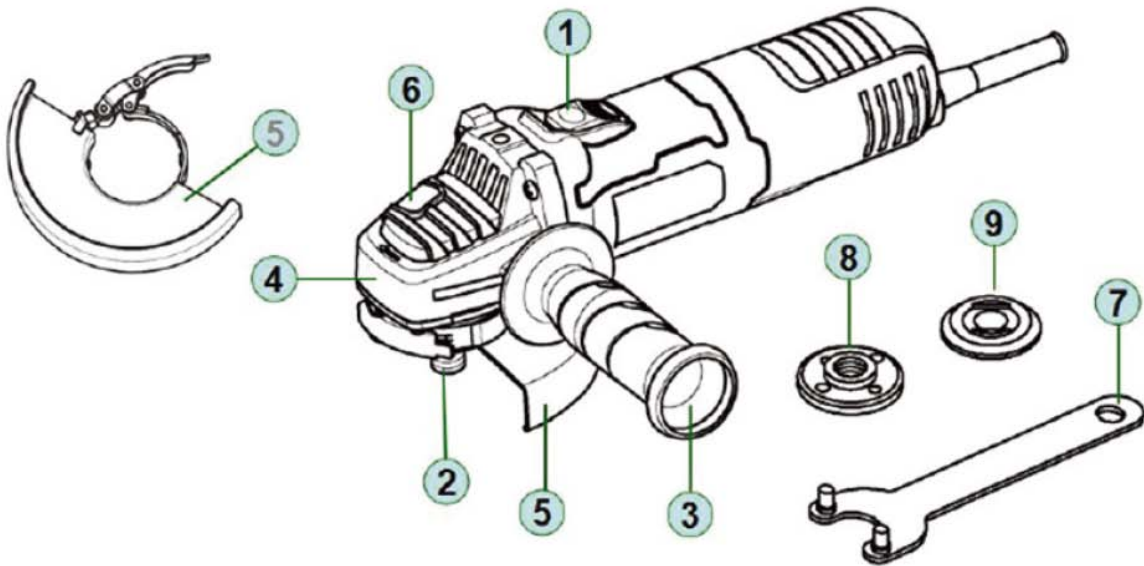
Protective cover

Spanner

Metal Grinding

## Product Features

1. Switch
2. Drive shaft
3. Side handle
4. Gear box
5. Quick release blade guard
6. Lock button
7. Spanner
8. External flange with thread
9. Internal flange





# ASSEMBLY INSTRUCTIONS

## Assembly

**Avoid unintentional starting of the machine. During assembly and for all work on the machine, the power plug must not be connected to the mains supply.**

Carefully remove all parts included in the delivery from their packaging.

Remove all packaging material from the machine and the accessories provided.

Before starting the operation of the machine for the first time, check if all parts listed in the box content section have been supplied

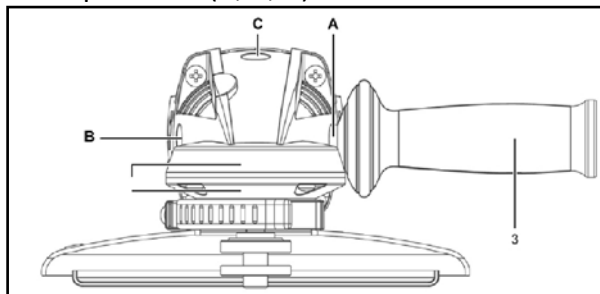
**Note:** Check the power tool for possible damage. Before further use of the machine, check that all protective devices are fully functional. Any lightly damaged parts must be carefully checked to ensure flawless operation of the tool. All parts must be properly mounted and all conditions fulfilled that ensure faultless operation.

Damaged protective devices and parts must be immediately replaced by an authorised service centre.

## **Fitting the additional handle**

-The angle grinder must not be used without the additional handle (4).

- The additional handle can be secured in any of three positions (A, B, C).



## **Setting the guard (Fig.3)**

- Switch off the tool. Pull the power plug.

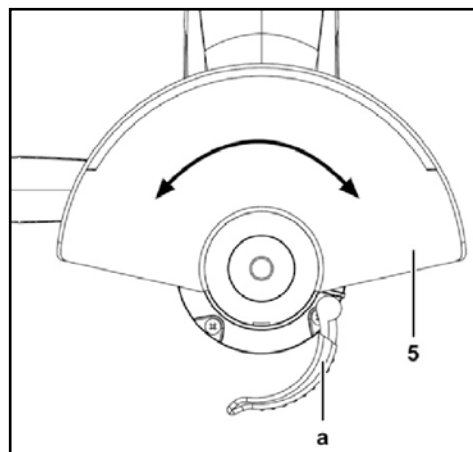
- Adjust the guard (5) to protect your hands so that the material being ground is directed away from your body.

- The position of the guard (5) can be adjusted to any specific working conditions. Undo the clamp handle (a) and turn the cover (5) into the required position.

- Ensure that the guard (5) correctly covers the gear wheel casing.

- Secure the clamp handle (a) again.

- Ensure that the guard (5) is secure. Take care that the safety device is secure. Never use the angle grinder without the guard.



## **Test run for new Grinding Wheels**

Allow the right-angle grinder to run in idle for at least 1 minute with the grinding or cutting wheel fitted in place. Vibrating wheels are to be replaced immediately.

# OPERATION

## Operation

### Switch

- Plug the cord into the outlet.
- To run the tool, move to the front of the switch.
- If you need to work in continuous mode, you press down on the front part of the trigger switch, causing it to lock in the on position.
- Release the power button, or when the switch is locked in the on position, press on its rear part. As a result, the button pops back.



### Changing the grinding wheels

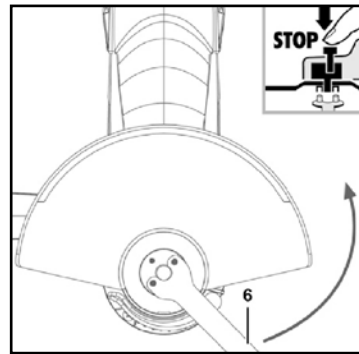
Use the face spanner (5) supplied to change the grinding wheels. Pull out the power plug.

- Press the spindle lock and allow the grinding wheel to latch in place.
- Open the flange nut with the face spanner.
- Change the grinding or cutting wheel and tighten the flange nut with the face spanner.

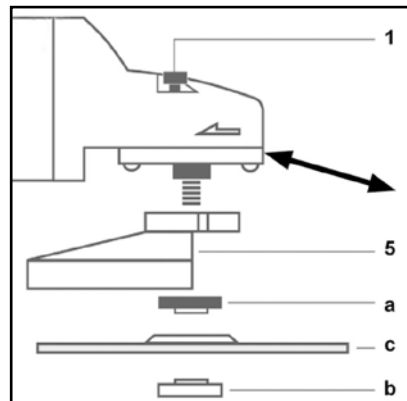
### Important!

Only ever press the spindle lock when the motor and grinding spindle are at a stand-still! You must keep the spindle lock pressed while you change the wheel!

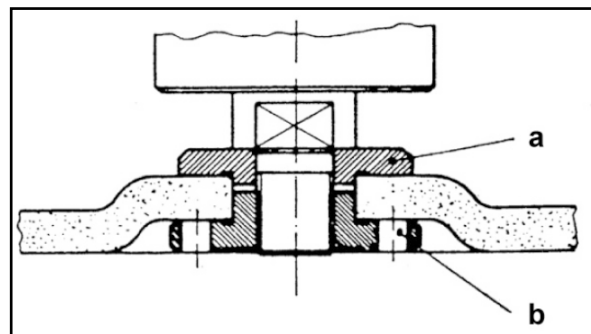
For grinding or cutting wheels up to approx. 3 mm thick, screw on the flange nut with the fl at side facing the grinding or cutting wheel.



### Flange arrangements when using grinding wheels and cutting wheels



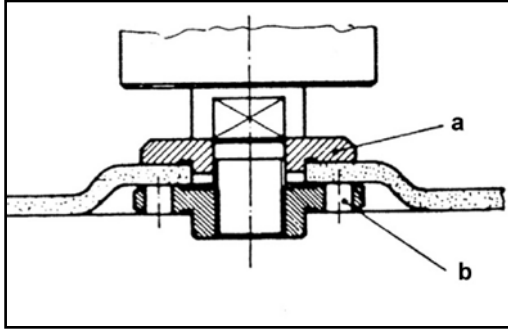
- Flange arrangement when using a depressed-centre or straight grinding wheel
- a) Clamping flange
- b) Flange nut



# OPERATION

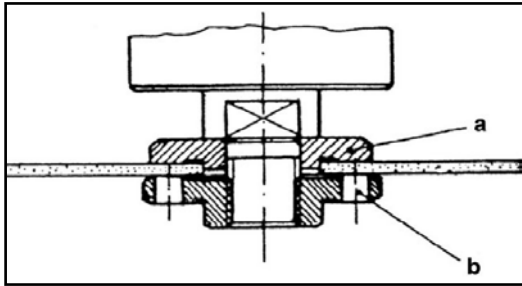
- Flange arrangement when using a depressed-centre cutting wheel (Fig. 8)

- a) Clamping flange
- b) Flange nut



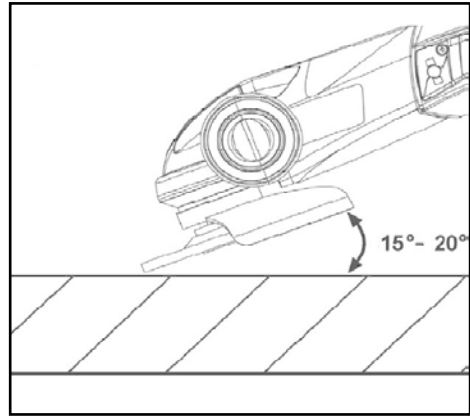
- Flange arrangement when using a straight cutting wheel

- a) Clamping flange
- b) Flange nut



## Rough grinding

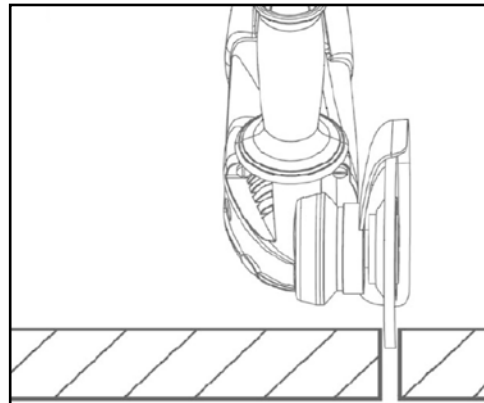
Caution: Use the safety device for sanding/grinding (included in items supplied). For the best rough grinding results, hold the grinding wheel at an angle of between  $30^\circ$  and  $40^\circ$  to the workpiece surface and guide back and forth over the workpiece in steady movements.



## Cutting

Caution: Use the safety device for abrasive cutting. When you use the right-angle grinder for cutting purposes, avoid tilting it in the cutting plane. The cutting wheel must have a clean cutting edge. A diamond cutting wheel is best used to cut hard stone.

It is prohibited to use the machine on asbestos materials! Never use a cutting wheel for rough grinding.



# MAINTENANCE AND SERVICE

## Maintenance and Service

**Remove the plug from the power supply before you carry out cleaning or maintenance.**

### **Cleaning**

1. Make sure that any ventilation slots are clear.
2. Clean the outside of the tool with a soft cleaning cloth.
3. Do not use any chemicals, harsh abrasives, or solvents when cleaning plastic parts.

### **General maintenance**

-All bearings are sufficiently lubricated for the life of the tool.

-Speak to your supplier if internal maintenance is necessary.

# LUMBERJACK GUARANTEE

## 1. Guarantee

**1.1** Lumberjack guarantees that for a period of 12 months from the date of purchase the components of qualifying products (see clauses 1.2.1 to 1.2.8) will be free from defects caused by faulty construction or manufacture.

**1.2.** During this period Lumberjack, will repair or replace free of charge any parts which are proved to be faulty in accordance with paragraph 1.1 providing that:

**1.2.1** You follow the claims procedure set out in clause 2

**1.2.2** Lumberjack and its authorised dealers are given reasonable opportunity after receiving notice of the claim to examine the product

**1.2.3** If asked to do so by Lumberjack or its Authorised dealer, you return the product at your own cost to Lumberjack's or supplying Authorised Dealer's premises, for the examination to take place clearly stating the Returns Material Authorisation number given by Lumberjack or an Authorised Dealer.

**1.2.4** The fault in question is not caused by industrial use, accidental damage, fair wear and tear, wilful damage, neglect, incorrect electrical connection, misuse or alteration or repair of the product without approval.

**1.2.5** The product has been used in a domestic environment only

**1.2.6** The fault in question does not relate to consumable items such as blades, bearings, drive belts or other wearing parts which can reasonably be expected to wear at different rates depending on usage.

**1.2.7** The product has not been used for hire purposes.

**1.2.8** The product has been purchased by you as the guarantee is not transferable from a private sale.

## 2. Claims Procedure

**2.1** In the first instance please contact the Authorised Dealer who supplied the product to you. In our experience many initial problems with machines that are thought to be faulty due to faulty parts are actually solved by correct setting up or adjustment of the machine. A good Authorised Dealer should be able to resolve the majority of these issues much more quickly than processing a claim under the guarantee. If a return is requested by the Authorised Dealer or Lumberjack, you will be provided with a Returns Material Authorisation number which must be clearly stated on the returned package, and any accompanying correspondence. Failure to provide a Returns Material Authorisation number may result in item being refused delivery at Authorised Dealer.

**2.2** Any issues with the product resulting in a potential claim under the guarantee must be reported to the Authorised Dealer from which it was purchased within 48 hours of Receipt.

**2.3** If the Authorised Dealer who supplied the product to you has been unable to satisfy your query, any claims made under this Guarantee should be made directly to Lumberjack. The Claim itself should be made in a letter setting out the date and place of purchase, giving a brief explanation of the problem which has led to the claim. This letter should be then sent with proof of purchase to Lumberjack. If you include a contact number with this it will speed your claim up.

**2.4** Please note that it is essential that the letter of claim reaches Lumberjack on the last day of this Guarantee at the latest. Late claims will not be considered.

### 3. Limitation of Liability

**3.1** We only supply products for domestic and private use. You agree not to use the product for any commercial, business or resale purposes and we have no liability to you for any loss of profit, loss of business, business interruption or loss of business opportunity.

**3.2** This Guarantee does not confer any rights other than these expressly set out above and does not cover any claims for consequential loss or damage. This Guarantee is offered as an extra benefit and does not affect your statutory rights as a consumer.

### 4. Notice

This Guarantee applies to all product purchased from an Authorised Dealer of Lumberjack within the United Kingdom. Terms of Guarantee may vary in other countries.

## CE DECLARATION OF CONFORMITY

**TOOLSAVE**

Unit C, Manders Ind. Est.,  
Old Heath Road, Wolverhampton,  
WV1 2RP.  
Tel: 01902 450 470

**Declares that the ANGLE GRINDER(AG820)**

**Is in compliance with the regulations included in the Directives:2006/42/EC**

## EC DECLARATION OF CONFORMITY

Certificate for EC-type examination delivered by TÜV SÜD Product Service GmbH. Zertifizerstelle ,  
Ridlerstraße 65, 80339 München, Germany (Registration No.:M8A 18 06 42661 461)

**Person who declares: Bill Evans**

---



08.06.2020

The Director

A handwritten signature in black ink, appearing to be 'Bill Evans', written over a faint, illegible stamp.

# Parts List

No.	Description	No.	Description
1	Bearing set	31	Screw
2	Bearing bush	32	Fan guide
3	Armature	33	Brush holder
4	Check ring	34	Brush
5	Screw	35	Screw
6	Bearing	36	Label
7	Stop pin	37	Capacitor
8	Spring	38	Switch
9	Gear box	39	Switch drawbar
10	Screw	40	Switch button
11	Check ring	41	Spring
12	Bearing	42	Cabel
13	Spring washer	43	Cord armor
14	Gear	44	Wood ruff-key
15	Screw	45	Spindle
16	Front cap	46	Inner Flange
17	Spring washer	47	Grinding wheel
18	Screw	48	Outer Flange
19	Wheel Guard	49	Wrench
20	Screw		
21	End cap		
22	Clamp		
23	Roller		
24	Front handle		
25	Pinion		
26	Spring washer		
27	Nut		
28	Housing		
29	Stator		
30	Washer		

# Parts Diagram

